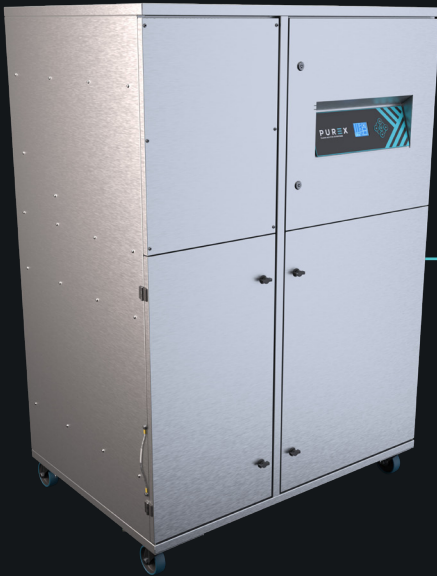


# 5000i

Large, multi-use fume extraction unit






**PUREX**  
CLEAN AIR FOR EVERYONE



## Description & features

- Clear & informative graphic display
- Highest grade HEPA and carbon technology
- Automatic electronic flow control - maintains a constant extraction rate even as the filter blocks
- Gas and particle sensors to warn the operator
- Adjustable airflow

## Filters

		Main Filter Code <b>110633</b>	Description <b>HEPA</b>
		Main Filter Code <b>110627</b>	Description <b>Chemical</b>
Side Inlet		Main Filter Code <b>111006</b>	Description <b>F8/F9 Labyrinth</b>
Rear Inlet		Pre-Filter Code <b>111144</b>	Description <b>EU5 Pleated Bag</b>
		Pre-Filter Code <b>200029</b>	Description <b>G4 Pad</b>

## Specifications

		3 phase supply	
Voltage		220v	400v
Side Entry	Volume Part No.	0LX5551D	0LX5550D
	Vacuum Part No.	044251D	044250D
Rear Entry	Volume Part No.	Not Applicable	0LX5549D
	Vacuum Part No.	044265D	044261D
Wattage		7.5kW	
Frequency		50Hz / 60Hz	
Cabinet Height		1804mm	
Cabinet Width		1250mm	
Cabinet Depth		892mm	
Cabinet Weight		400kg	
Airflow		5000m <sup>3</sup> /h	
Sound Levels		<60dBa	

## Machine Supplied With

- 2 x Main Filter • 1 or 2 x Pre-filter • 1 x 4.5m x Fixed Power Cable (No Plug) • 1 x Manual

Find out more: [Wpurex.co.uk](http://Wpurex.co.uk) | [T +44 \(0\)1405 746030](tel:+44(0)1405746030) | [E purex@purex.co.uk](mailto:purex@purex.co.uk)

Registered Office: Purex International Limited, QWP House, Island Drive, Capitol Park, Thorne, Doncaster DN8 5UE  
Registered No. 5136616 England | VAT No. GB842 5025 49 | WEEE Producer Registration Number: WEE/CE0067TX  
\*Goods are subject to change | \*Illustrations are 3D created visual representations

# 5000i

Large, multi-use fume extraction unit

# Options

Main filter

Connection kits

Technical

Interfacing

Code Description

110624

Chemical

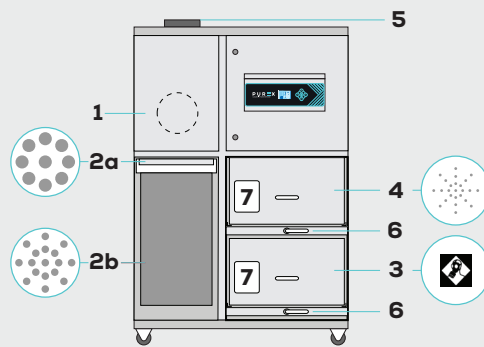
120296

Hose End Diameter	Hose Length	Purex Inlet Diameter
200mm	1.0m	200mm

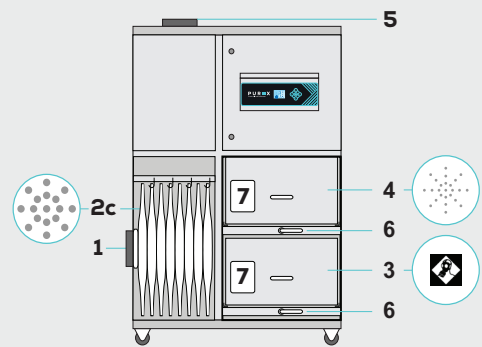
Connect to 200mm diameter pipe/port



## Rear Inlet



## Side Inlet

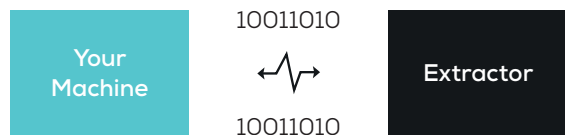


### LEGEND:

- 1. Air inlet - 200mm safe seal
- 2a. Pre-filter pad
- 2b. Pre-filter pleated bag
- 2c. Pre-filter labyrinth bag
- 3. Main filter (carbon location)
- 4. Main filter (HEPA location)
- 5. Clean air returned to the workplace
- 6. Filter locking handles
- 7. Filter identification labels

Interfacing can remotely start the Purex machine when the connected machine starts.

Interfacing can also warn the connected machine when the Purex machine is in alarm.



Take a look through our [Interfacing Guide](#) to see our extensive range of options